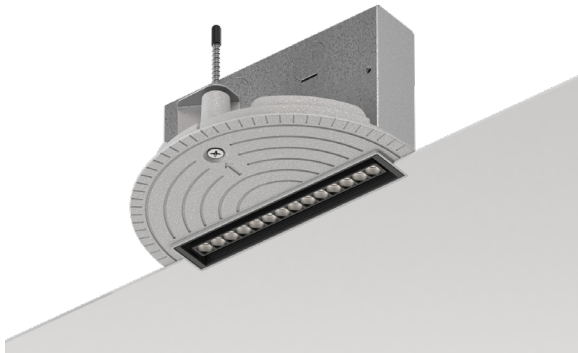


## Features

- Flawless beam quality from a unique micro-linear form factor
- Narrow 15° TIR native beam is aimable +/- 30°
- Louvers available for 15°, 30°, and 60° beams
- Snap-on optics available to easily adjust beam angle in the field
- For ceiling thicknesses from 0.5" up to 1.25"
- LED Module is field serviceable from below the ceiling.
- 24VDC Class 2
- Wet Rated
- Wall Wash optic provides even illumination starting from the top of the wall to the bottom
- Wall Wash recommended spacing is 2ft from the wall and 2ft on-center

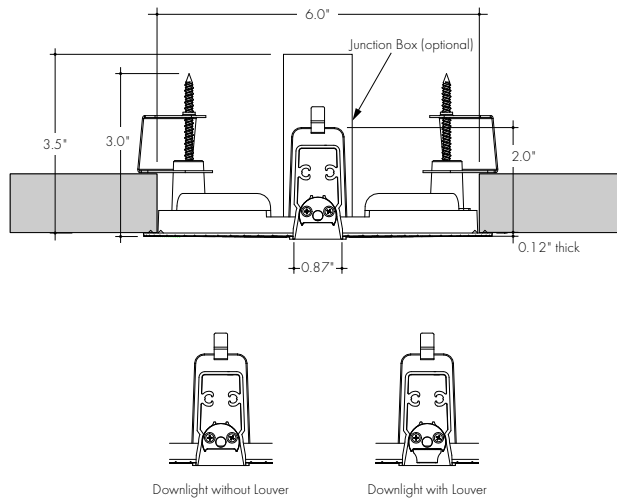
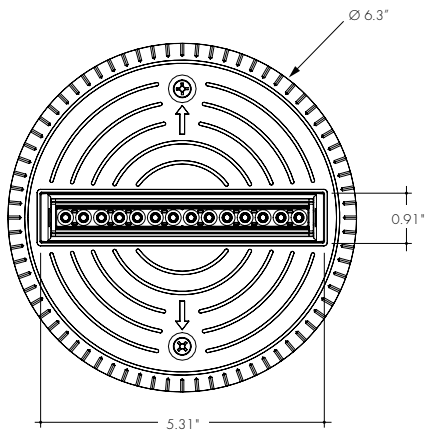


### Finish Options

- Black Painted
- White Painted



## Product Dimensions



## Technical Information

OUTPUT	SO				
OPTIC	15	LV15	LV30	LV60	WW
Lumen Output (all channels full on)	442 lm	271 lm	282 lm	219 lm	223 lm
Beam Spread (FWHM)	14°	14°	28°	58°	Asymmetric
Center Beam Intensity (CBCP)	2663 cd	2451 cd	880 cd	270 cd	N/A
Power Consumption	5.4 W				
Efficacy	82 lm/W	50 lm/W	52 lm/W	41 lm/W	41 lm/W
Aesthetic	Regressed Baffle		Louver		Wall Wash Optic

CCT	TM-30			
	CRI	R <sub>f</sub>	R <sub>g</sub>	R <sub>9</sub>
1800K	95	93	99	83
3500K	95	92	100	74

## Ordering Code | Directional Module

MODEL	LENGTH	CCT	OUTPUT	OPTIC	FINISH
SLD - Stenos Trimless Linear Downlight	5-5.3"	18K35K - 1800K to 3500K	DWSO - Standard <sup>1</sup>	15 - 15° Optic LV15 - 15° louver <sup>2</sup> LV30 - 30° louver and Optic <sup>2</sup> LV60 - 60° louver and Optic <sup>2</sup> WW - Wall Wash Optic LU - 15° Bullseye Louver <sup>3</sup> EL - 15°x 45° Elliptical Lens <sup>4</sup>	BK - Black

1 - Standard Output fixture is IC rated and does not require a housing or pan.  
 2 - LV Louvers reduce glare while maintaining 90% of CBCP.  
 3 - LU Bullseye Louver reduces glare while maintaining 75% of CBCP. Use a 0.35 multiplier for lumen output. Only available in BK Black.  
 4 - Use a 0.8 multiplier for lumen output with EL Elliptical Lens. Only available in BK Black.

## Ordering Code | Accessories

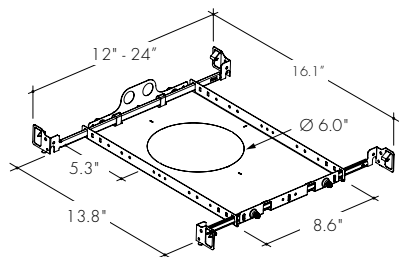
MODEL	ACCESSORY	LENGTH	FINISH
SAC - Stenos Accessory	LV15 - 15° Louver LV30 - 30° Louver and Optic LV60 - 60° Louver and Optic WW - Wall Wash Optic <sup>1</sup> LU - 15° Bullseye Louver <sup>1</sup> EL - 15°x 45° Elliptical Lens <sup>1</sup>	5-5.3"	BK - Black WH - White

1 - Wall Wash Optic, LU Bullseye Louver, and EL Elliptical Lens only available in BK Black.

## Mounting Options (optional)

### RMP-5-L-R

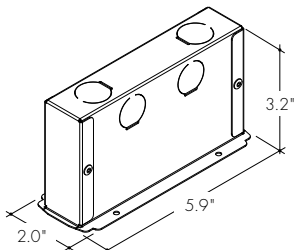
Recessed New Construction Mounting Pan,  
5" Trimless Linear Downlight



Includes Hanger Bar set (PF-HB-ALL), extendable from 14" to 24". Knock-outs are  $\varnothing 0.875"$ .

### JB-5L

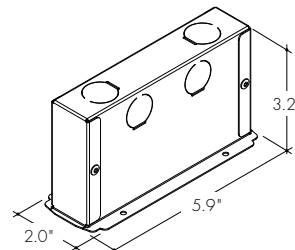
Junction Box 5" Trimless Linear Downlight



Junction box for wire termination and to create an Airtight enclosure.

### JB-5L-CP

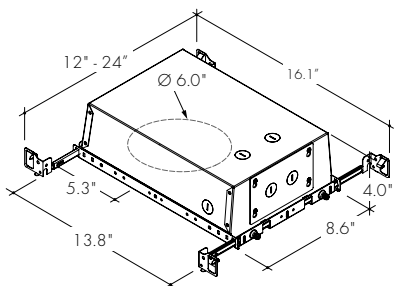
Chicago Plenum Junction Box,  
5" Trimless Linear Downlight



Junction box for wire termination and to create a Chicago Plenum rated enclosure.

### RHI-5-L-R

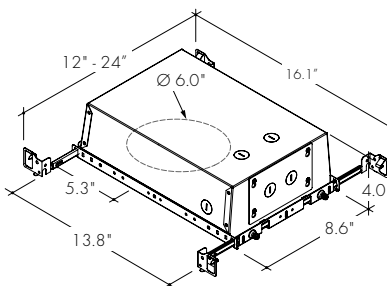
Recessed New Construction Housing, IC Rated,  
5" Trimless Linear Downlight



Includes Hanger Bar set (PF-HB-ALL), extendable from 14" to 24". Knock-outs are  $\varnothing 0.875"$ . Can be used for spray foam insulation.

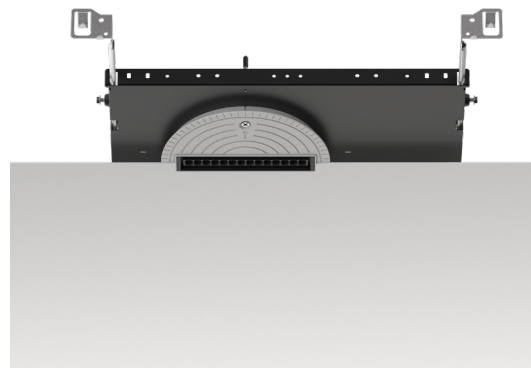
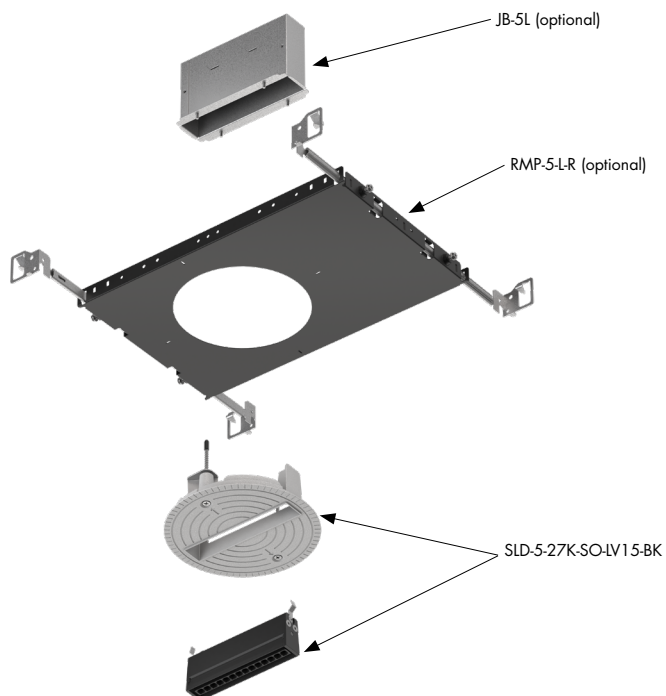
### RHC-5-L-R

Recessed New Construction Housing, Chicago Plenum Rated  
5" Trimless Linear Downlight



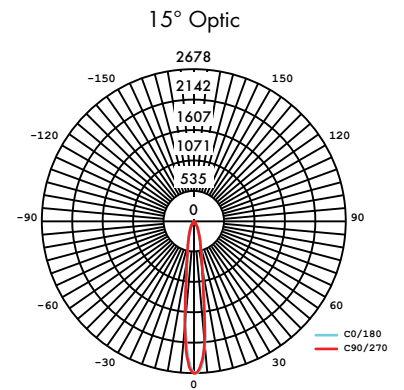
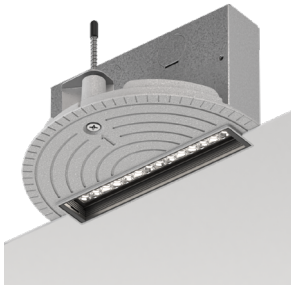
Includes Hanger Bar set (PF-HB-ALL), extendable from 14" to 24". Knock-outs are  $\varnothing 0.875"$ . Can be used for spray foam insulation.

## Components

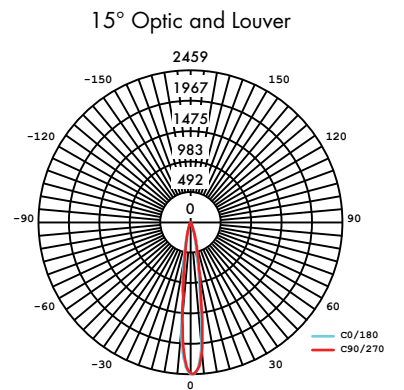


Photometry

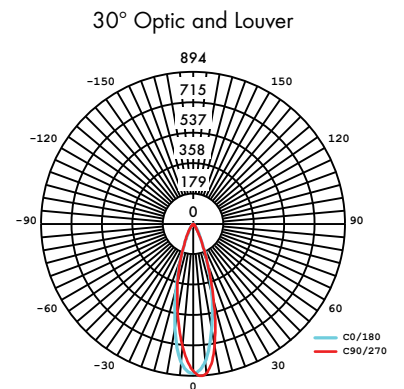
SLD-5-30K-SO-15-BK/WH



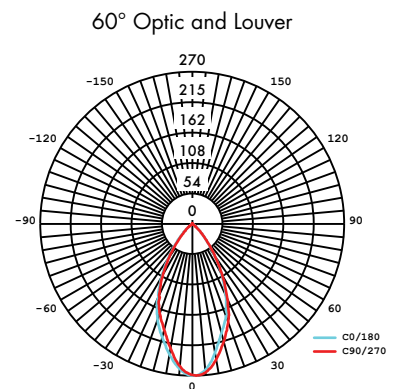
SLD-5-30K-SO-LV15-BK/WH



SLD-5-30K-SO-LV30-BK/WH

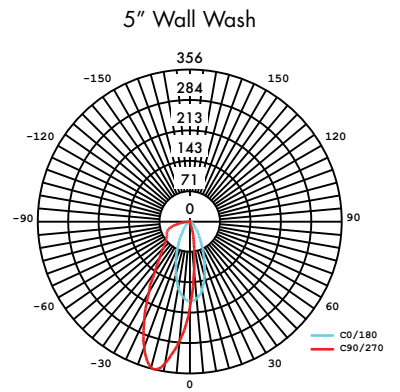
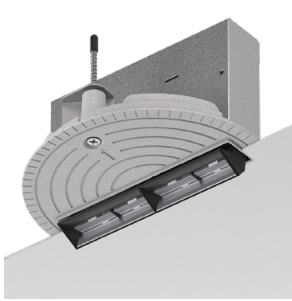


SLD-5-30K-SO-LV60-BK/WH



Photometry

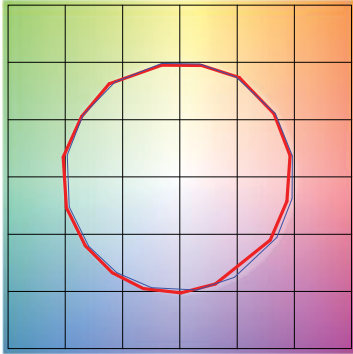
**SLD-5-30K-SO-WW-BK**



TM-30-15-Data

18K CCT

Color Vector Graphic



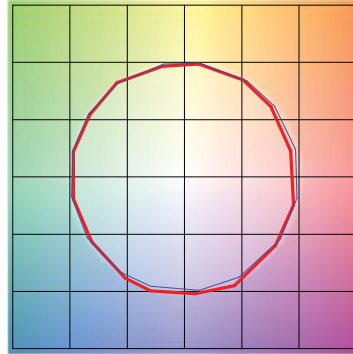
Test — (red line)  
Reference — (blue line)

Graphic Shifts (%)

Hue Bin	Rf	Chroma	Hue
1	94.8	-1.8%	0.7%
2	95.7	-0.8%	0.8%
3	94.5	1.2%	-2.4%
4	95.9	-1.1%	-1.8%
5	95.7	-1.4%	0.3%
6	93	1.6%	5.0%
7	97.2	0.3%	1.6%
8	93.7	3.0%	2.2%
9	95.1	2.4%	0.0%
10	94.2	2.2%	-2.0%
11	93	2.3%	-3.4%
12	88.1	2.1%	-7.1%
13	83.2	-0.1%	-13.9%
14	83	-4.5%	-16.9%
15	90.6	-3.6%	-4.9%
16	90.9	-4.0%	-3.0%

35K CCT

Color Vector Graphic

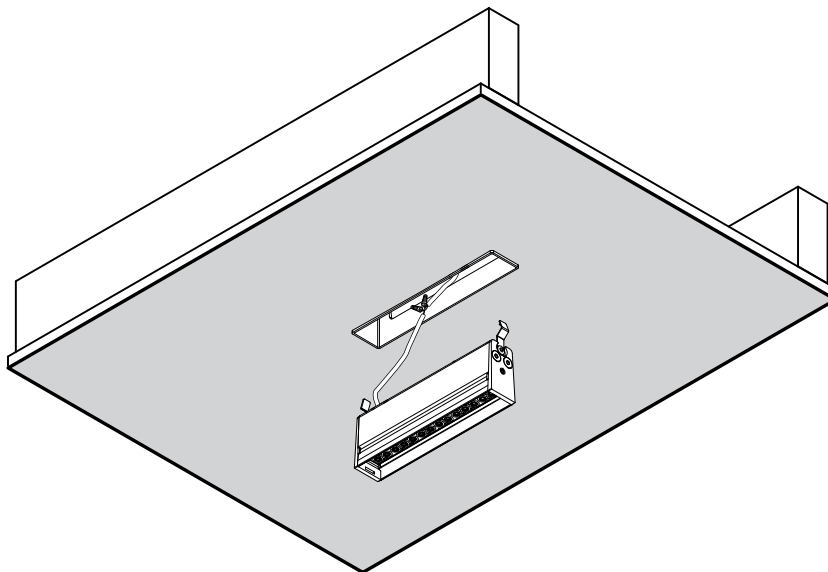


Test — (red line)  
Reference — (blue line)

Graphic Shifts (%)

Hue Bin	Rf	Chroma	Hue
1	90.9	-4.5%	-0.4%
2	93.4	-2.7%	1.7%
3	92.4	-1.2%	3.2%
4	95.7	-0.9%	1.2%
5	94.8	-1.6%	1.4%
6	96.9	1.0%	0.4%
7	95.8	-1.5%	-0.3%
8	97.3	-0.6%	0.9%
9	94.9	-1.4%	2.5%
10	91.4	-1.3%	4.7%
11	89.2	2.3%	5.9%
12	90.0	4.0%	0.7%
13	92.5	2.2%	-4.2%
14	88.2	3.6%	-7.8%
15	89.0	-0.5%	-6.6%
16	87.4	-1.6%	-6.6%

Field Serviceability



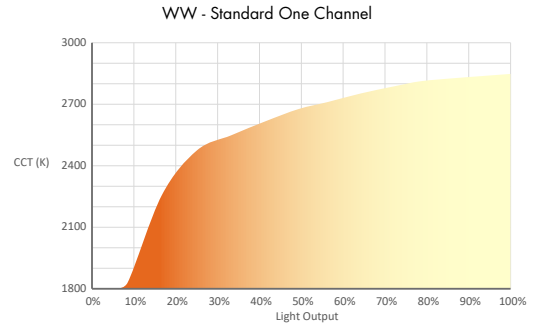
## Power Supplies

See fixture and power supply instructions & spec sheet for wiring information. Dimming possible in select models - view Luminii website for list of compatible dimmers.

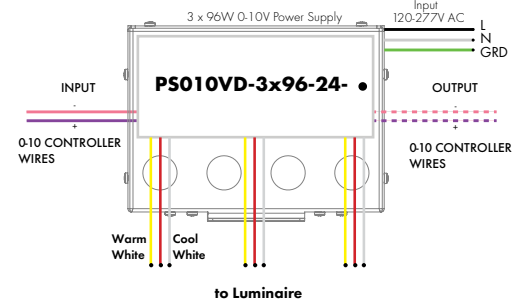
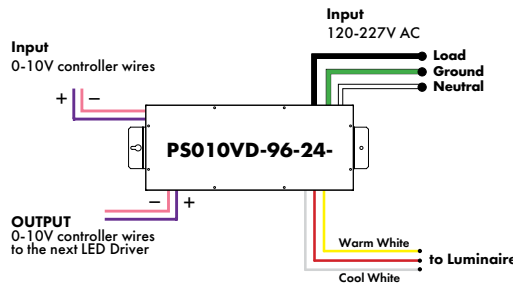
### Customizable Dim to Warm or Variable White via 0 - 10V (for tunable white or warm dimming control of Dynamic option)

MODEL	POWER	OUTPUT	CONTROL
PS010VD-0-10V Vintage Dim LED Driver	96-96 Watt 3X96-3 X 96 Watt	24-24 VDC	WW- Standard One Channel - Dim To Warm Curve W2C- Standard Two Channel - Dim 1: Intensity; Dim 2: CCT *W2I- Standard Two Channel - Dim 1: Warm Channel Intensity; Dim 2: Cool Channel Intensity *W1X- Custom One Channel - Dim To Warm Curve *W2X- Custom two Channel - Dim 1: Intensity; Dim 2: CCT

Requires a 0-10V controller to work properly  
\*For 96 only, not an option for 3X96.



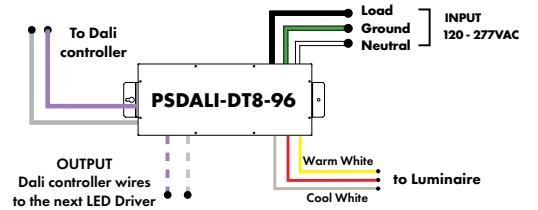
MODELS	96W	3X96
Length	14.40"	15.00"
Width	5.20"	6.61"
Depth	2.60"	4.56"



### DALI DT8 LED Driver 120-277V

MODEL	POWER	OUTPUT
PSDALI-DT8-DALI-DT* LED Driver	96-96 Watt 3X96 - 3 X 96 Watt	24-24 VDC

MODELS	96W
Length	14.40"
Width	5.20"
Depth	2.60"



### DMX 0% Dimming Power Supplies 120VAC - 277VAC

MODEL	POWER	OUTPUT
PSDMX-DMX Power Supply dims down to 0%	96 - 96 Watt 3X96 - 3 X 96 Watt	24-24 VDC

Features eldoLED's LINEARdrive configurable dimmable drivers.

MODELS	96W	3X96
Length	14.40"	15.75"
Width	5.20"	6.62"
Depth	2.60"	4.95"

